

# twilight

INSTRUMENTOS DE MEDICIÓN INDUSTRIAL

## Kit Termómetro infrarrojo y Pedestal, DeltaTrak

### TK-15050K

[www.twilight.mx](http://www.twilight.mx)

 / [twilightsadecv](https://www.facebook.com/twilightsadecv)

 / [twilightsadecv](https://twitter.com/twilightsadecv)

 / [twilightsadecv](https://www.youtube.com/twilightsadecv)

# Product Specifications

## ThermoTrace® Auto-Check Non-Contact Infrared Forehead Thermometer

<b>Measuring Range</b>	32°F to 122°F (0°C to 50°C)
<b>Operating Temperature</b>	50°F to 104°F (10°C to 40°C)
<b>Accuracy</b>	±0.4°F from 93.2°F to 113°F ±0.2°C from 34°C to 45°C
<b>Display Type</b>	Digital
<b>Measuring Distance</b>	2in to 4in (5cm to 10cm)
<b>Response Time</b>	0.5 second
<b>Data Memory</b>	999 points of temperature data
<b>Active Standby</b>	About one week
<b>Power</b>	USB DC 4.2-5V charging or 18650 Rechargeable 3.7V Li-Ion Cell battery
<b>Size</b>	6.7in L x 4.5in W x 5.5in H (170mm L x 115mm W x 140mm H)
<b>Weight</b>	0.77lbs (350g)
<b>Certifications</b>	CE, FCC, RoHS



### Model 15050

- Non-contact, avoid cross-infection
- Hands-free, no operator required
- Fast reading, 50 measurements per minute
- Unit comes with a rechargeable lithium-ion battery pre-installed for ease of use
- Preset alarm temperature at 100.4°F for fever screening per CDC guidelines
- Good for use in schools, businesses and food services
- Can be mounted on wall or tripod
- Designed for continuous, long-term use
- Preset fever alarm capability (°F/°C)
- °F/°C Selectable
- Certifications: CE, FCC, RoHS



## Package Content

- Model 15050 Auto-Check Non-Contact Infrared Forehead Thermometer
- User Manual
- Screws x 2
- 18650 Battery x 1
- Warranty Card

## Businesses, Clinics and Retail

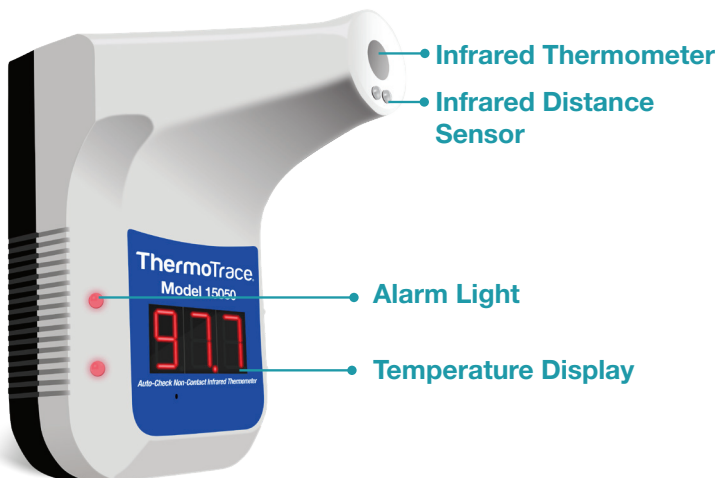
Non-contact forehead thermometer perfectly suited to screen employees before entering the work place. Mountable near entrance doors and gates.

## Schools and Universities

Ideal solution for screening students at school buses and classroom entrances. Great way to identify students with fever to help prevent cross infection.

## Food Services and Hospitality

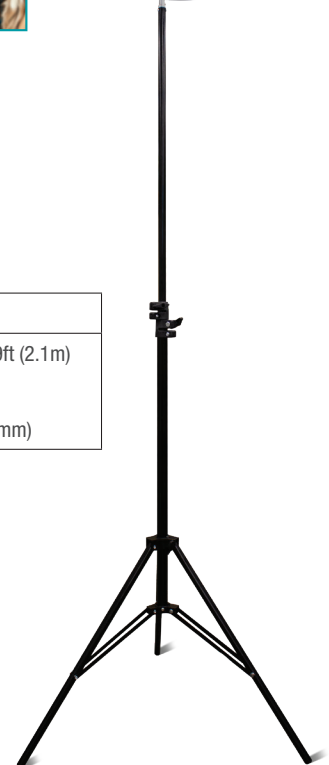
This wall mountable thermometer is well positioned to screen employees and customers who may have a fever.



### Model 15067

#### Tripod Stand

Maximum adjustable height: 6.9ft (2.1m)  
 Material: Metal  
 Tripod Diameter: 0.9in (22mm)  
 Base Stand Diameter: 0.6in (16mm)



# twilight

INSTRUMENTOS DE MEDICIÓN INDUSTRIAL



LLÁMANOS

+52(81) 8115-1400 / +52 (81) 8173-4300

LADA Sin Costo:  
01 800 087 43 75

E-mail:  
[ventas@twilight.mx](mailto:ventas@twilight.mx)

[www.twilight.mx](http://www.twilight.mx)



/ [twightsadecv](https://www.facebook.com/twightsadecv)



/ [twightsadecv](https://twitter.com/twightsadecv)



/ [twightsadecv](https://www.youtube.com/twightsadecv)